

# KOBELCO

SK140SRL-7

## Performance X Design

### SK140SRL LOGGING SPECIFICATION

#### Wide shoes for minimum ground pressure

You can count on smooth and dependable travel with the longer crawler and wider shoe that are usually used on machines the next class up.



Ground Pressure: 28 kPa at 900 mm shoe

\* Three track guides each side are installed as standard.

#### Digging cycle time

Shortened by **10%**

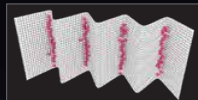
(Compared to the SK140SRLC-5 model)



#### iNDr



**iNDr** Integrated  
Noise & Dust  
Reduction  
Cooling System



How the filter catches dust

#### iNDr Filter

A high-density mesh filter blocks dust intruding during air intake. This prevents the cooling device and the air cleaner from clogging with dust and maintains their performances. The ridges of the corrugated filter allow the air to pass through, and the grooves collect the dust, which prevents the filter from clogging.

SK140SRL of KOBELCO has realised a completely new value by harmonising PERFORMANCE and DESIGN.

Performance enhancements offer greater efficiency and productivity along with increased power and speed.

Design improvements provide the ultimate in comfort and control.

KOBELCO refuses to compromise, creating machines that meet every challenge.

#### The ultimate in simple and elegant design

The jog dial integrates multiple functions to realise simple operations. In addition, the switches and dials have LED backlights – they provide a bright, clear view in the dark and set a luxurious mood.



#### Large 10-Inch Color Monitor

The easy-to-operate menu screen and recognizable icons assist the operator to select the most important information needed to ensure jobsite safety and machine control.



*Built for Perfectionists*

## Specifications

Model	SK140SRL		
Type	SK140SRL-7		
<b>PERFORMANCE</b>			
Bucket Capacity ISO heaped	m <sup>3</sup>	0.5	
Swing Speed	min <sup>-1</sup>	11.0	
Travel Speed	km/h	5.3/3.0	
Gradeability	% (degree)	70 (35)	
Bucket Digging Force	kN	105.4	
Arm Crowding Force	kN	64.0	
Rated Drawbar Pull (SAE J 1309)	kN	153	
Maximum Swing Gradient (Loaded)* % (degree)		26 (15)	

<b>ENGINE</b>			
Model	ISUZU MOTORS LIMITED 4JJ1XDDV A01		
Type	Four cycle, water cooled, overhead camshaft, vertical in-line, direct injection type, with turbocharger		
Power Output (ISO14396)	kW/min <sup>-1</sup>	86/2,200	
Max. Torque (ISO14396)	N-m/min <sup>-1</sup>	375/1,800	
Displacement	L	2,999	
Fuel Tank	L	186	
DEF/Urea Tank	L	26	

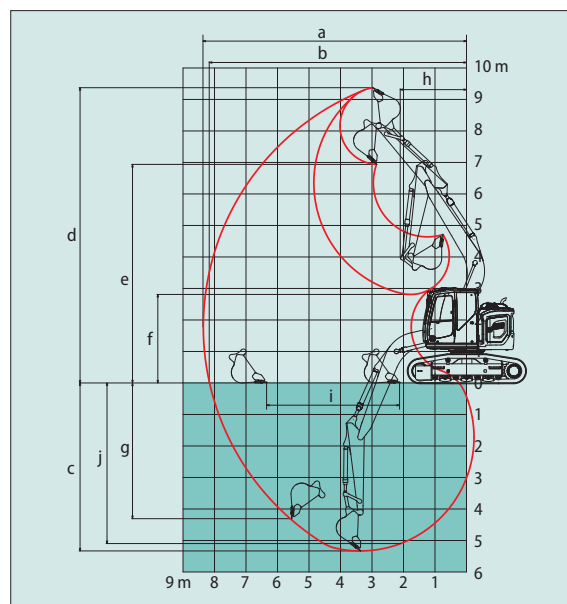
<b>HYDRAULIC SYSTEM</b>			
Pumps	Double variable displacement axial piston pumps with a gear pump		
Max. Discharge Flow	L/min	2 x 142, 1 x 66	
Relief Valve Setting (main)	MPa	34.3	
Swing Circuit	MPa	28.0	
Travel Circuit	MPa	34.3	
Hydraulic Oil Tank (System)	L	89.9 (176.0)	

<b>WEIGHT</b>				
Counterweight	Standard			
Shoe Width	mm	700	800	900
Operating Weight	kg	16,900	17,100	17,400
Ground Pressure	kPa	35.9	31.8	28.7
Counterweight	+ 580 kg			
Shoe Width	mm	700	800	900
Operating Weight	kg	17,500	17,700	17,950
Ground Pressure	kPa	37.1	32.9	29.7
Counterweight	+ 1000 kg			
Shoe Width	mm	700	800	900
Operating Weight	kg	17,900	18,100	18,400
Ground Pressure	kPa	38.0	33.7	30.3

## WORKING RANGES

Unit: m

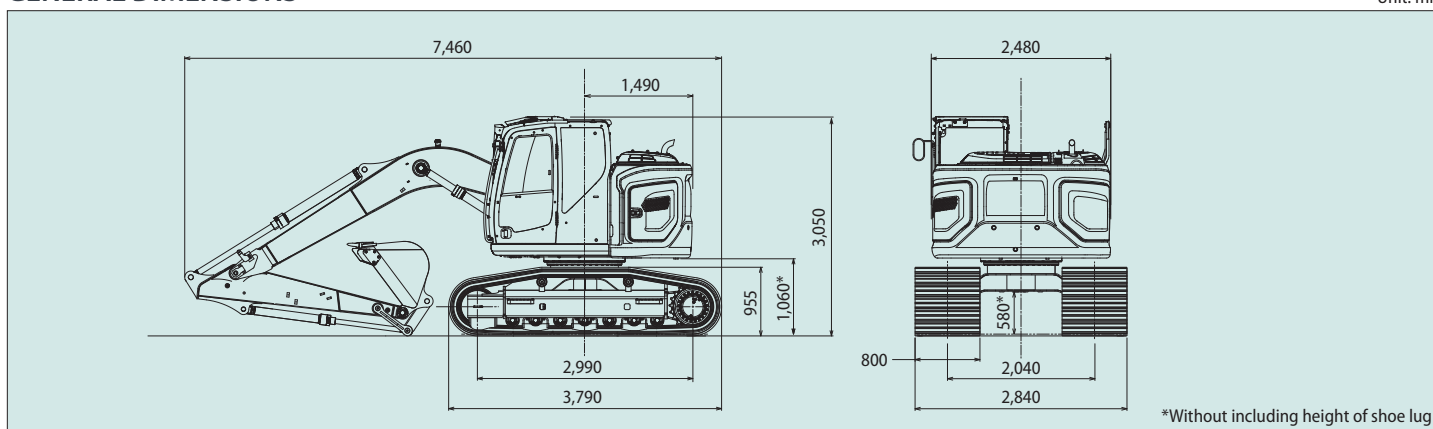
MODEL	SK140SRL
Arm length	2.38 m
a- Max. digging reach	8.37
b- Max. digging reach at ground level	8.17
c- Max. digging depth	5.33
d- Max. digging height	9.37
e- Max. dumping clearance	6.94
f- Min. dumping clearance	2.81
g- Max. vertical wall digging depth	4.31
h- Min. swing radius	2.13
i- Horizontal digging stroke at ground level	4.22
j- Digging depth for 8' (2.4 m) flat bottom	5.10
Bucket capacity (ISO heaped)	0.5 m <sup>3</sup>



\*Value for the least favourable specification

## GENERAL DIMENSIONS

Unit: mm



\*Without including height of shoe lug

Note: This catalogue may contain attachments and optional equipment that are not available in your area. And it may contain photographs of machines with specifications that differ from those of machines sold in your areas. Please consult your nearest KOBELCO distributor for those items you require. Due to our policy of continuous product improvements all designs and specifications are subject to change without advance notice.

Copyright by **KOBELCO CONSTRUCTION MACHINERY CO., LTD.** No part of this catalogue may be reproduced in any manner without notice.

## KOBELCO CONSTRUCTION MACHINERY EUROPE B.V.

Veluwezoom 15  
1327 AE Almere  
The Netherlands  
www.kobelco-europe.com

Enquiries To: